

Sarnafil® T Drain

Injection moulded FPO roof drain

Product Description	The Sarnafil® T Drain is made of rigid high quality polyolefine by injection moulding procedure.
----------------------------	--

Uses	The Sarnafil® T Drain is used as rainwater outlet in flat roofs.
-------------	--

Characteristics / Advantages	<ul style="list-style-type: none">■ Outstanding resistance to weathering, including UV irradiation■ Outstanding stress-cracking resistance■ Membrane can be welded directly to the base plate■ Ease of application■ Excellent weldability■ Recyclable
-------------------------------------	--

Tests

Approvals / Standards	<ul style="list-style-type: none">■ Complies with EN 1253■ Quality management system EN ISO 9001/14001
------------------------------	---

Product Data

Form

Appearance	Surface: smooth
-------------------	-----------------

Colour	Beige
---------------	-------

Packaging	Depending on the order quantity and product size the products are packaged on pallets or in cartons.
------------------	--

Storage

Storage Conditions	The Sarnafil® T Drain shall be stored in dry conditions.
---------------------------	--

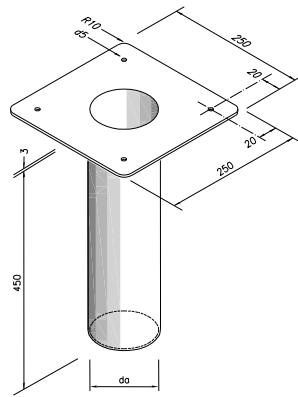
Shelf-Life	The Sarnafil® T Drain does not expire during correct storage.
-------------------	---

Construction

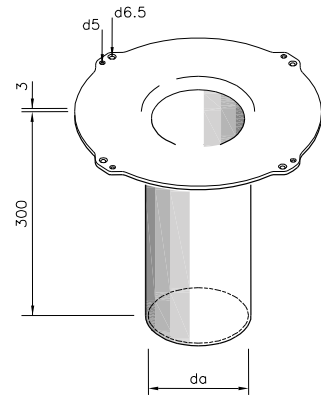




with S-Leafguard Art.111185



Ø 40 mm and 50 mm



Ø 56 mm - 160 mm

Art. No.	Spigot		Size of base plate	Flow rates EN 1253
	outside diameter	length		
111045	40 mm	450 mm	250 x 250 mm; quadratic	3.00 l/s
111046	50 mm	450 mm	250 x 250 mm; quadratic	3.30 l/s
111047	56 mm	300 mm	Ø 320 mm; round	4.10 l/s ¹⁾
111048	63 mm	300 mm	Ø 320 mm; round	4.60 l/s
111049	75 mm	300 mm	Ø 320 mm; round	5.20 l/s
111050	90 mm	300 mm	Ø 320 mm; round	5.60 l/s
111051	95 mm	300 mm	Ø 320 mm; round	5.70 l/s
111052	110 mm	300 mm	Ø 380 mm; round	6.20 l/s
111053	125 mm	300 mm	Ø 380 mm; round	8.90 l/s ¹⁾
111054	140 mm	300 mm	Ø 380 mm; round	10.60 l/s
111055	160 mm	300 mm	Ø 380 mm; round	12.50 l/s

EN 1253: Measured with S- Leafguard (Art. No. 111185) at the LGA Würzburg¹⁾ or internal.
 Depth of water: Until Ø 100 mm: 35 mm, from Ø 110mm: 45 mm

Technical Data

Material basis Polypropylen (PP)

Thickness 3.5 mm,

System Information

System Structure The following accessory is strongly recommended:
- S-Leafguard (Art. no. 111185)

Compatible products: - Sarnafil® TG 66-types
- Sarnafil® TS 77-types
- Sarnafil® TG 76-types

Application Conditions / Limits

Temperature The use of the Sarnafil® T Drain is limited to geographical locations with average monthly minimum temperatures of -50 °C. Permanent ambient temperature during use is limited to +50 °C.

Installation Instructions

Installation Method According to the valid installation instructions for Sarnafil® T roof waterproofing membranes.

The Sarnafil® T Drain needs to be fastened securely to the roof deck.

In case of mechanically fastened roofs the fasteners must be designed to resist to the wind load on the project.

Notes on Installation / Limits

Installation works to be carried out only by Sika instructed contractors for roofing.

Temperature limits for the installation of the Sarnafil® T Drain:

Substrate temperature: -30 °C min. / +60 °C max.
Ambient temperature: -20 °C min. / +60 °C max.

Installation of some ancillary products, e.g. contact adhesives / cleaners is limited to temperatures above +5 °C. Please observe information given by Product Data Sheets.

Special measures may be compulsory for installation below +5 °C ambient temperature due to safety requirements in accordance with national regulations.

Value Base	All technical data stated in this Product Data Sheet are based on laboratory tests. Actual measured data may vary due to circumstances beyond our control.
Local Restrictions	Please note that as a result of specific local regulations the performance of this product may vary from country to country. Please consult the local Product Data Sheet for the exact description of the application fields.
Ecology, Health and Safety Information	The product does not fall within the EC-regulation of hazardous goods. As a result, a material safety data sheet following EC-Guideline 91/155 EWG is not needed to bring the product to the market, transport or use it. The product does not damage the environment when used as specified.
Protective Measures	Fresh air ventilation must be ensured, when working (welding) in closed rooms. Local safety regulations must be observed.
Transportation Class	The product is not classified as hazardous good for transport.
Disposal	The material is recyclable. Disposal must be according to local regulations. Please contact your local Sika sales organisation for more information.
Legal Notes	The information, and, in particular, the recommendations relating to the application and end-use of Sika products, are given in good faith based on Sika's current knowledge and experience of the products when properly stored, handled and applied under normal conditions in accordance with Sika's recommendations. In practice, the differences in materials, substrates and actual site conditions are such that no warranty in respect of merchantability or of fitness for a particular purpose, nor any liability arising out of any legal relationship whatsoever, can be inferred either from this information, or from any written recommendations, or from any other advice offered. The user of the product must test the product's suitability for the intended application and purpose. Sika reserves the right to change the properties of its products. The proprietary rights of third parties must be observed. All orders are accepted subject to our current terms of sale and delivery. Users must always refer to the most recent issue of the local Product Data Sheet for the product concerned, copies of which will be supplied on request.



Sika South Africa (Pty) Ltd
 9 Hocking Place,
 Westmead, 3608
 South Africa

E-mail: headoffice@za.sika.com
 Phone +27 31 792 6500
 Telefax +27 31 700 1760
www.sika.co.za

